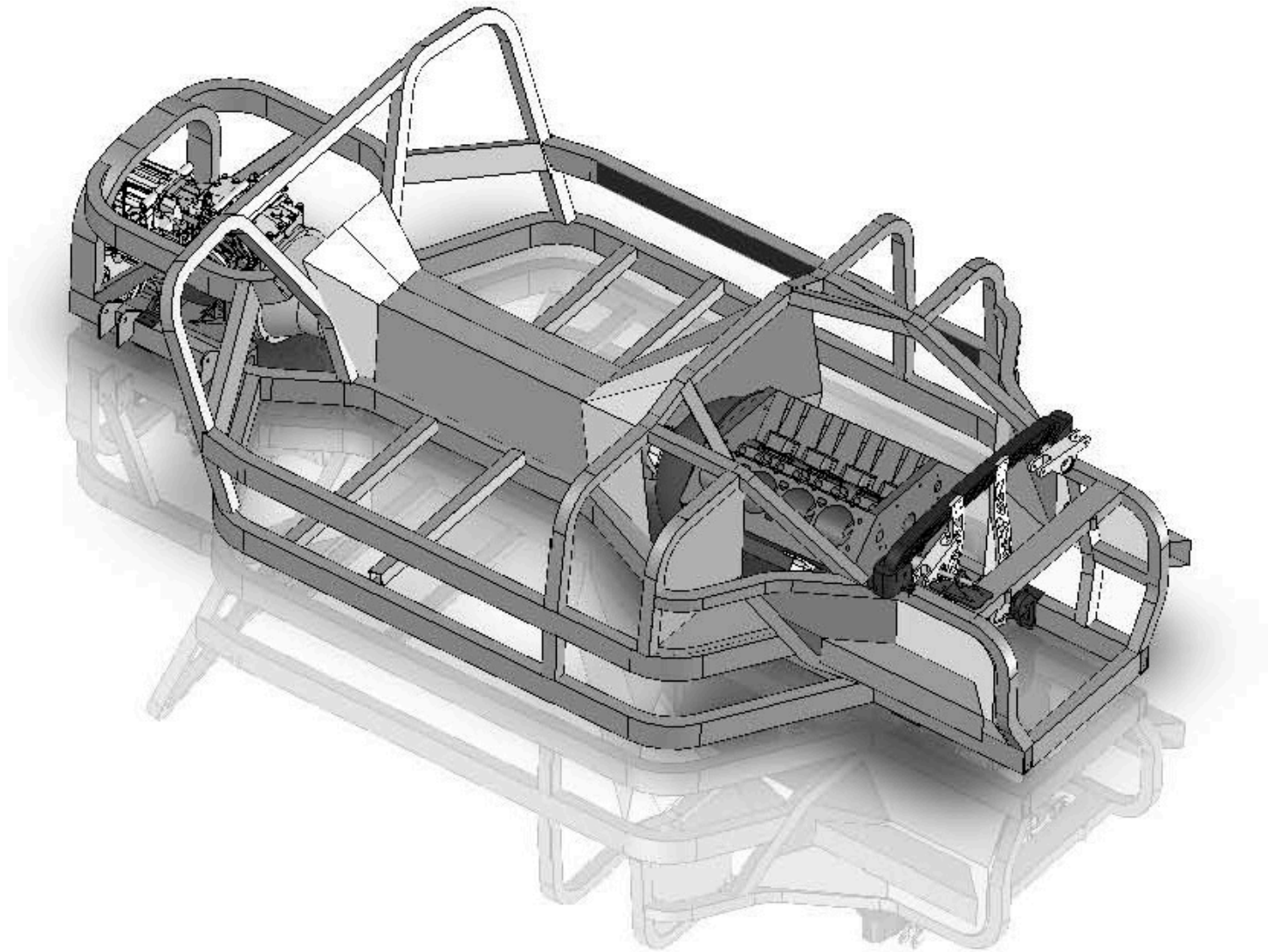


FII ROADSTERS / SHELBY SERIES 1 / 2 FRAME

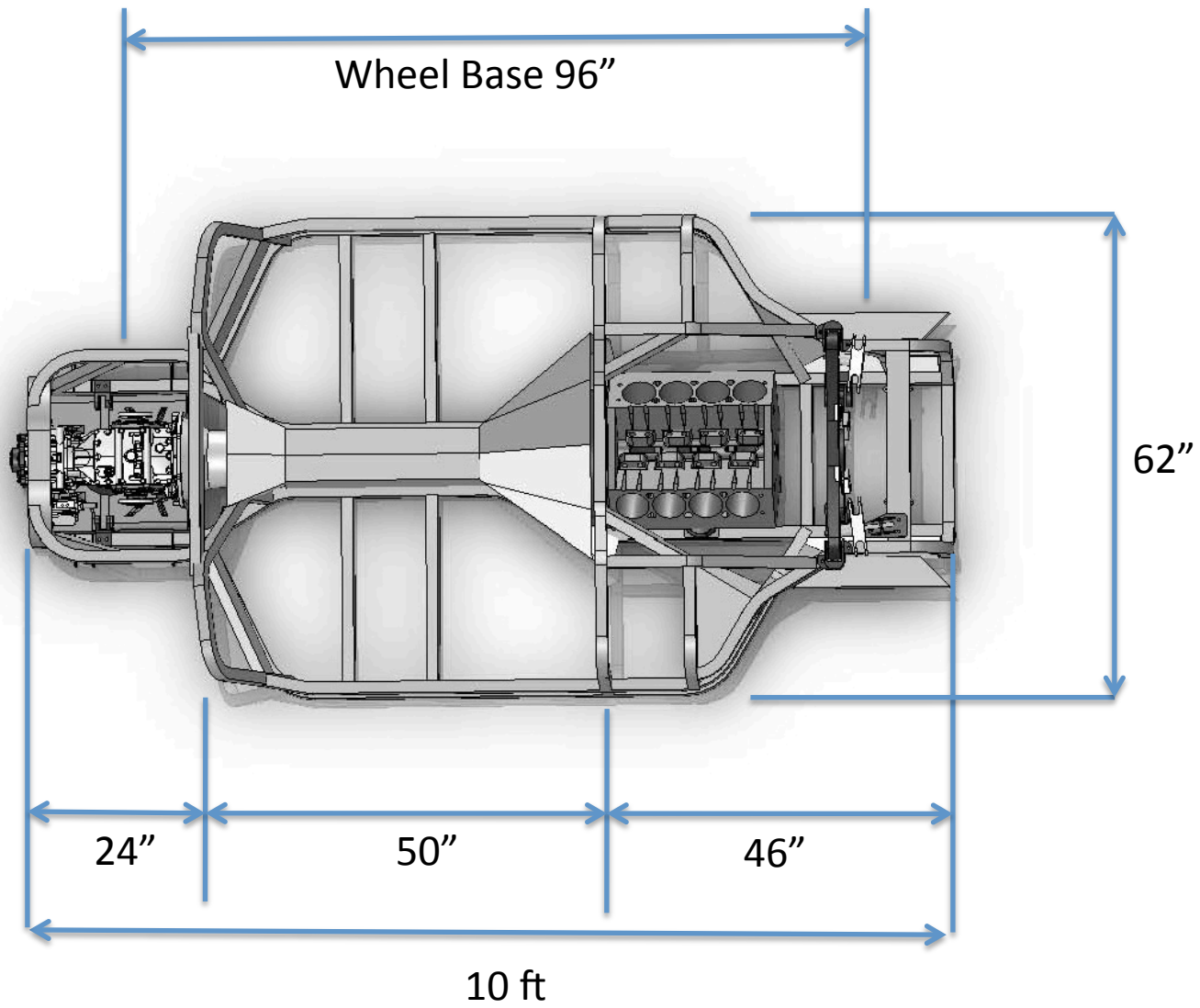


FII ROADSTERS / SHELBY SERIES 1 / 2 FRAME

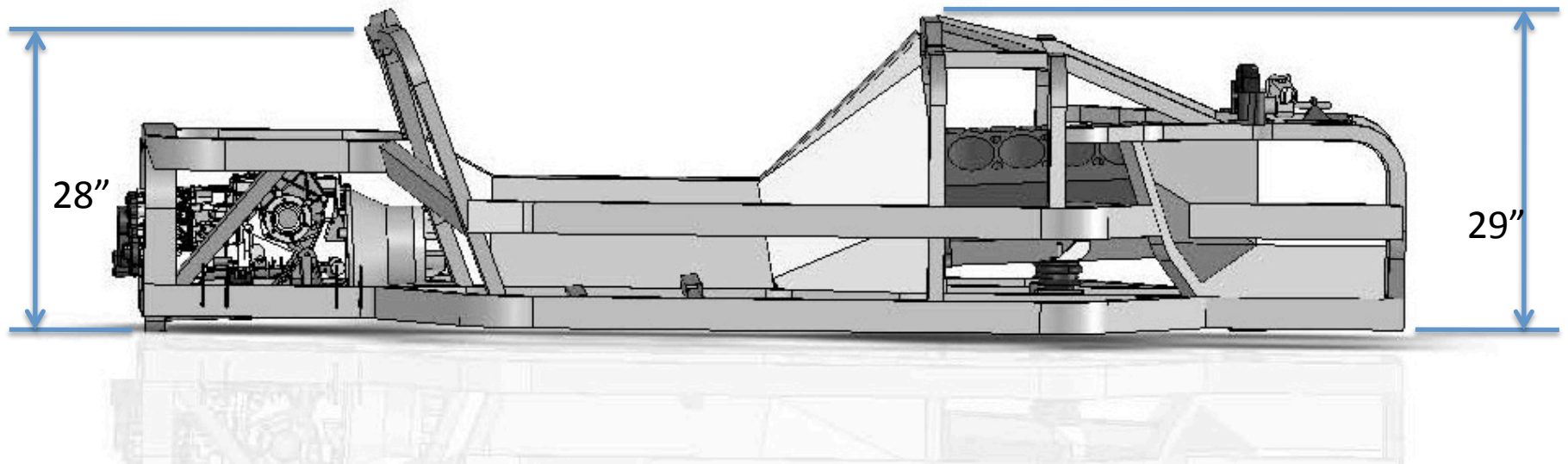
- Wheelbase in./mm 96
- Front wheels out-side to out-side 72"
- Rear wheels out-side to out-side 78"
 - Wheels 18" minimum
 - 10" wide on front and 12" wide on rear
 -
- Weight Distribution, f/r % 50/50
 - Driving chassis as show in pictures 1980 lbs

All dimensions have been rounded to the nearest Inch

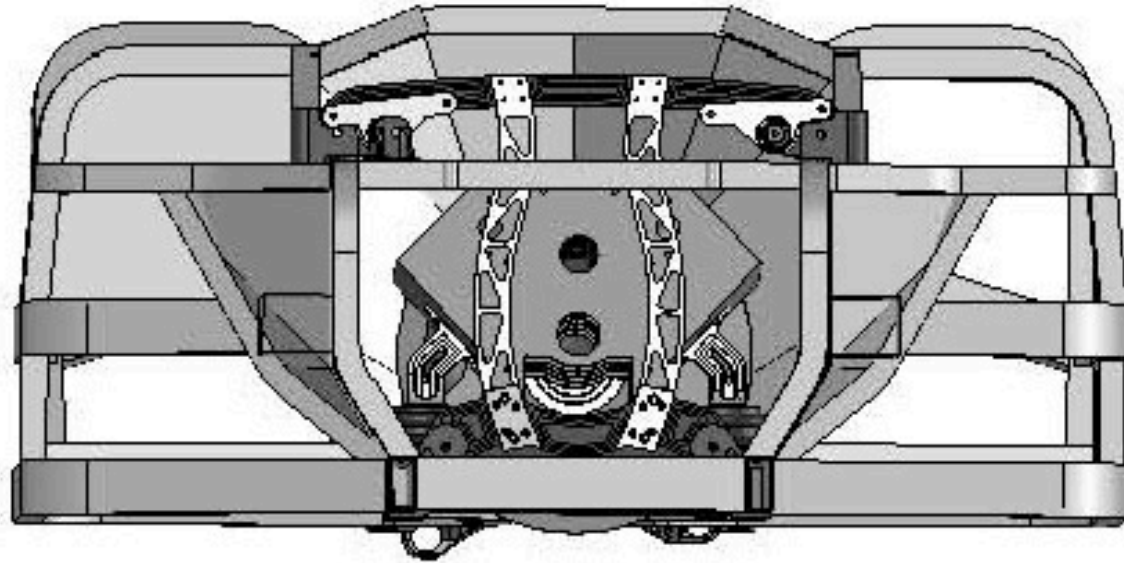
FII ROADSTERS / SHELBY SERIES 1 / 2 FRAME
Top View



FII ROADSTERS / SHELBY SERIES 1 / 2 FRAME
Side View



FII ROADSTERS / SHELBY SERIES 1 FRAME
Front View



FII ROADSTERS / SHELBY SERIES 1 FRAME
Rear View

